

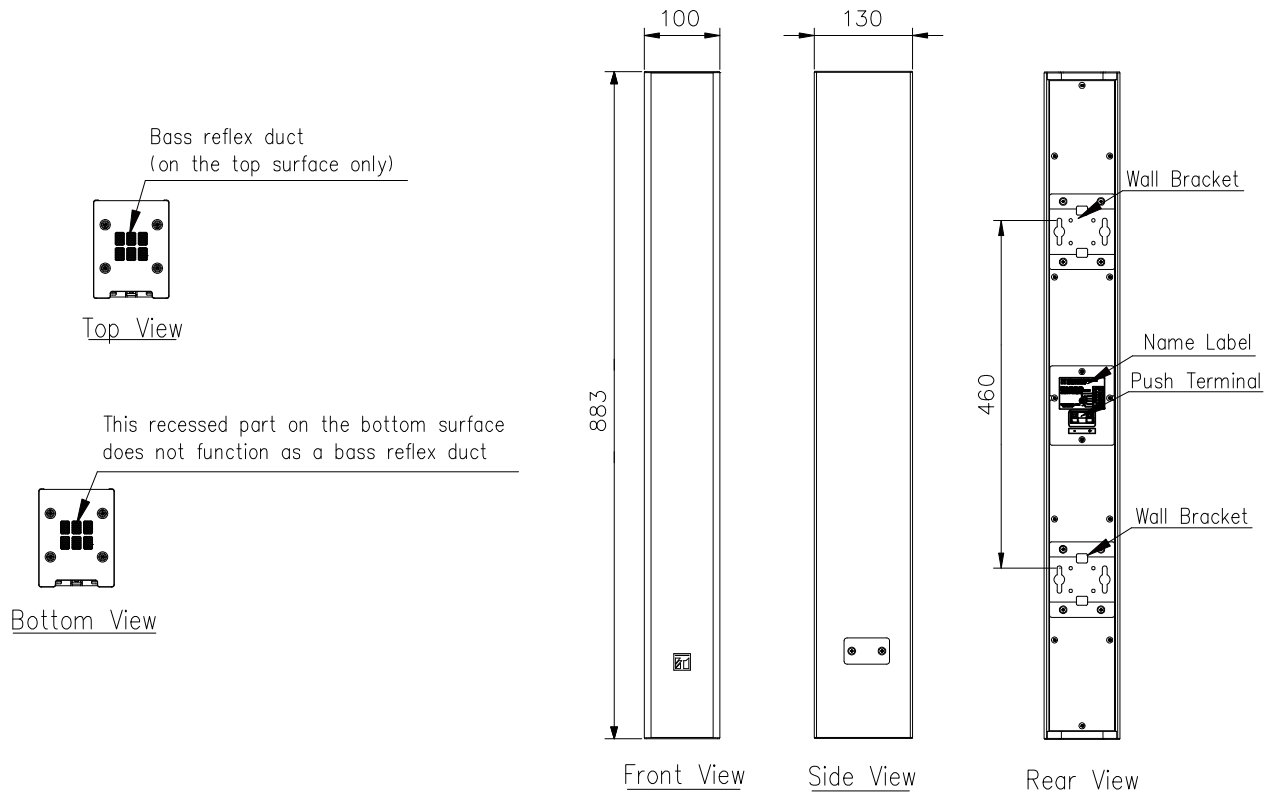
## DESCRIPTION

The slim array speaker form a linear sound source with the internal speaker unit arrayed vertically in close proximity.

## SPECIFICATIONS

Enclosure	Bass reflex type	
Max. Input Power (Low Imp.)	120W (continuous pink noise)	
Rated Input (High Imp.)	60W	
Rated Impedance	Low Impedance : 8Ω	
	100V Line : 167 Ω (60W), 330Ω (30W), 500Ω (20W), 1 kΩ (10W) : selectable	
Sensitivity	95 dB (1W, 1m)	
Frequency Response	180 - 15,000Hz	
Speaker Component	8cm(3") cone-type x 9	
Connection	Push-in terminals	
Operating Temperature	-10°C to 50°C (14° F to 122° F)	
Directivity Angle	Horizontal: 90° / Vertical: 0°	
Impedance change	Rotary Switch (Selectable)	
Finish	Enclosure	MDF, Wet paint, White
	Punched net	SECC, Wet paint, White
	Wall bracket	SECC, Wet paint, White
	Side Panel	SECC, Wet paint, White
	Metal Cover	SECC, Wet paint, White
Dimensions	100 (W) x 883 (H) x 130 (D) mm	
Weight	8.2 kg unit only	
Accessory	Speaker bracket ...1 Pc, Joint bracket ...1 Pc, Wall bracket ...1 Pc, Fixing Bolt M5X60 ...1 Pc, Hexagon bolt M6 X 12 (With plain washer and spring washer) ...2 Pcs, Machine screw M5 X 15 (With plain washer and spring washer) ...4 Pcs,	
Optional	HY-S60W AS : Side Stack Bracket ...2 Pcs, Rear Stack Bracket ...1 Pc	

## APPEARANCE



UNIT:mm SCALE:1/10