

DESCRIPTION

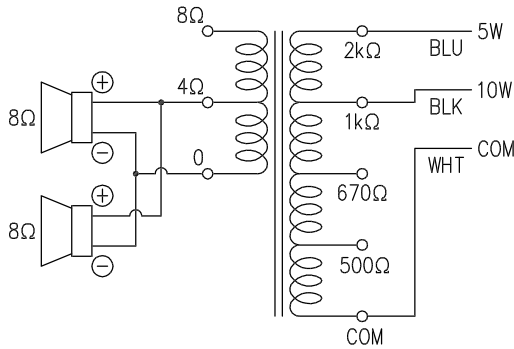
The TZ-105 Column Speaker employs multiple cone speakers arranged vertically on a single baffle board to provide wider horizontal directivity.

SPECIFICATIONS

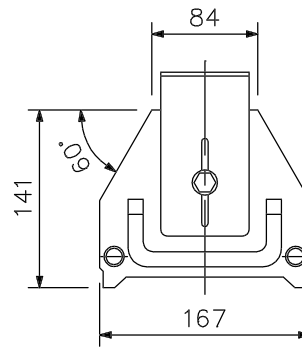
Rated Input	10 W (Max. 15 W)
Rated Impedance	100 V line: 1 kΩ (10 W), 2 kΩ (5 W)
Sound Pressure Level	90 dB (1 W, 1 m)
Frequency Response	150 - 10,000 Hz
Speaker Component	12 cm cone-type × 2
Water Resistance	IP-X3 equivalent
Finish	Enclosure: Extruded aluminum, silver gray, fully-glazed, baked paint Grille: Punched aluminum net, black, matte, baked paint Mounting bracket: Steel plate, silver gray, fully-glazed, baked paint
Dimensions	167 (W) × 335 (H) × 141 (D) mm
Weight	3.4 kg (unit only), 4 kg (including mounting bracket)
Accessory	Mounting bracket ×2, Mounting bolt, washer, packing ×1 set

[NOTE] A drainage hole is provided on the speaker cable side of the cabinet.
 When installing the speaker outdoors, make sure that its speaker cable side faces the ground.
 The speaker must be installed upright or facing down.
 Installing the speaker in any other position may render the drainage hole ineffective, eventually leading to an electrical failure or other damage.

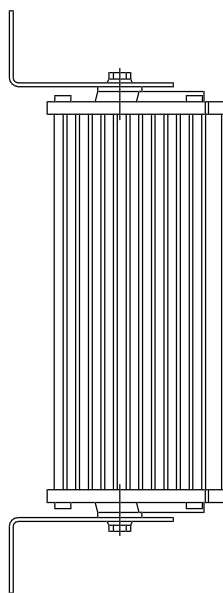
APPEARANCE



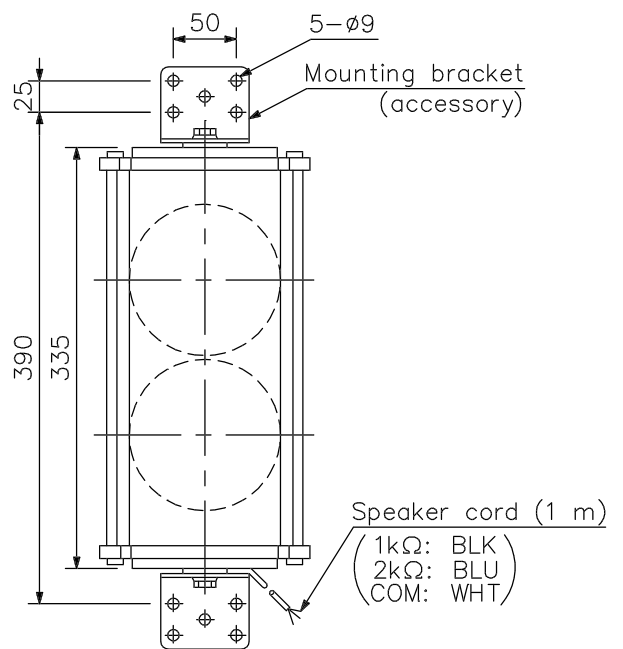
Wiring Diagram



Top View



Side View



Front View

UNIT:mm SCALE:1/6