

DESCRIPTION

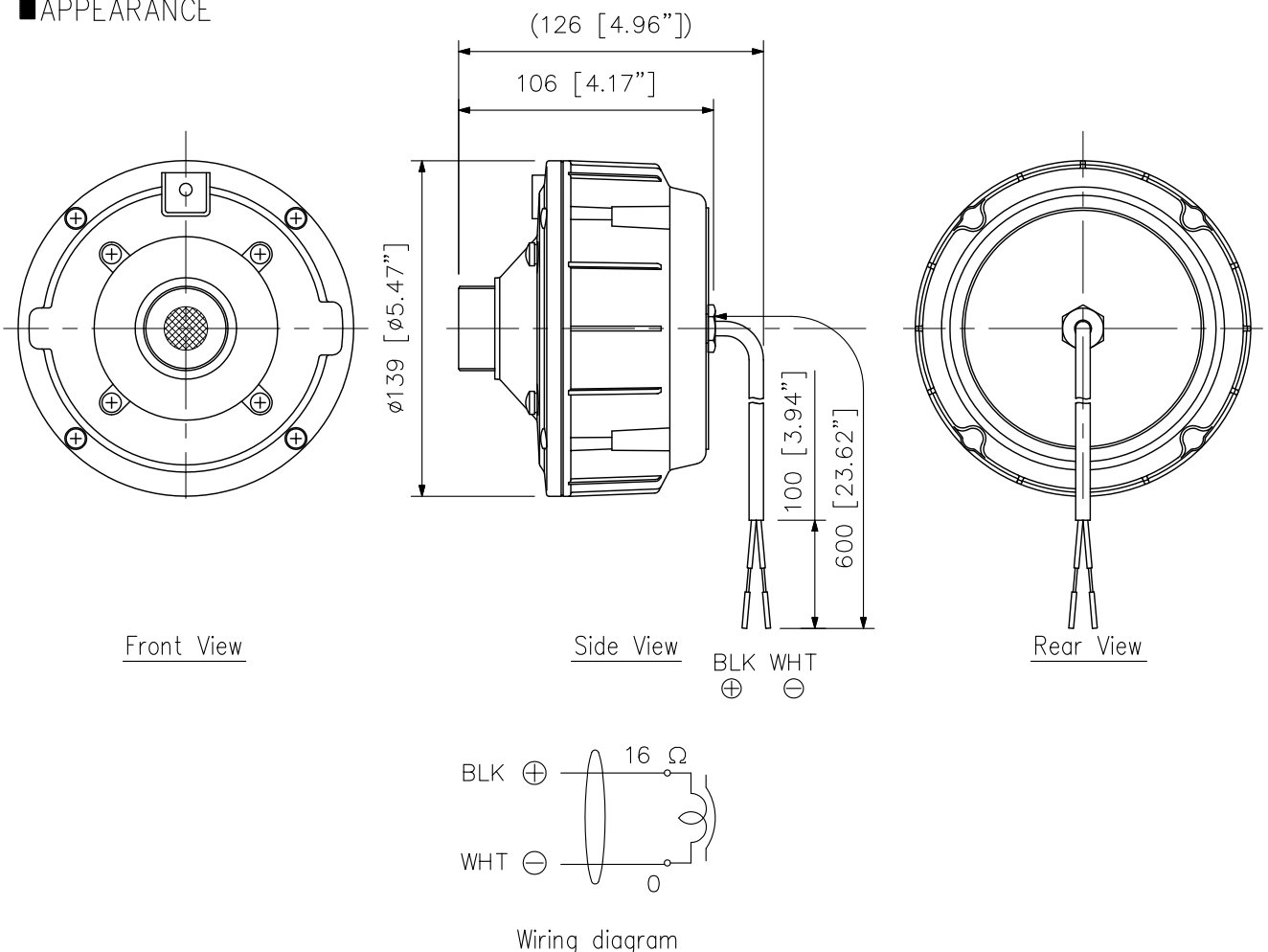
The TU-651 is a highly intelligible driver unit suited to public address announcement applications. Use the driver unit in combination with a suitable horn (optional). Its powder-coated finish and stainless steel screws ensure the unit's weatherproof capability.

SPECIFICATIONS

Applicable Horns	TH-650, TH-660
Rated Input	50 W
Rated Impedance	16 Ω
Sensitivity	110 dB (1 W, 1 m) (When operated with JIS C 5504 standard horn.)
Frequency Response	150 Hz – 6 kHz (When operated with JIS C 5504 standard horn.)
Dust/Water Protection	IP65 (When a driver is operated with a horn.)
Horn Coupling	1 – 3/8 18 threads (inch screw)
Polarity	Hot: Black, Com: White
Operating Temperature	-20 °C to +55 °C (-4 °F to +131 °F) (no condensation)
Finish	Flange: Aluminum, gray, powder coating Rear cover: ABS resin, gray Screws: Stainless steel Speaker cable: Polyvinyl chloride insulated cabtyre cable (6 mm (0.24") in diameter, 600 mm (23.62") in length)
Dimensions	ø139 × 106 (D) mm (ø5.47" × 4.17")
Weight	2 kg (4.41 lb)
Option	Driver unit cover: UC-200A Matching transformer: TM-30T, TM-60T

Note: Avoid installing the speaker in locations which vibrate considerably, or under environments easy to be oil-contaminated.

APPEARANCE



UNIT:mm SCALE:1/3