

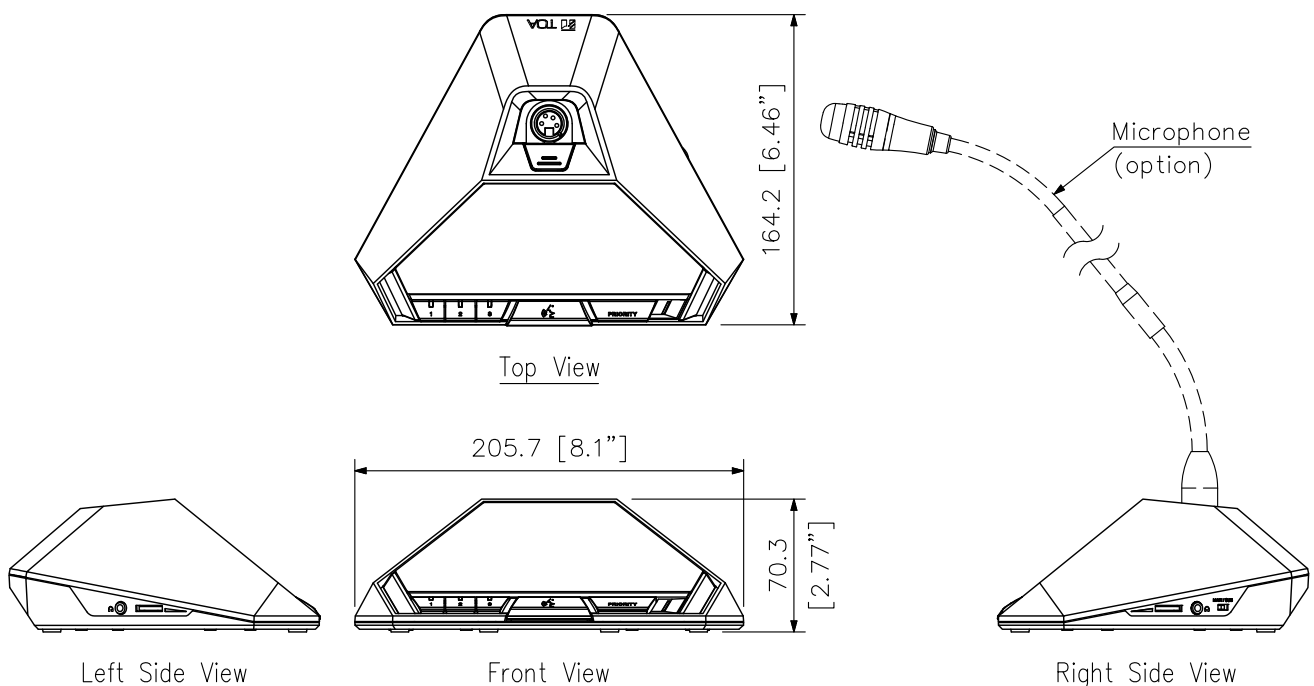
DESCRIPTION

The TS-921 is a Chairman unit of the Infrared Conference system. Since the system is cordless, it can be easily installed and removed. The Chairman unit features a priority speech key which allows it to take precedence over the TS-922 Delegate units when speaking. It can be operated on either the AD-0910 AC adapter or the BP-920, BP-900A lithium-ion battery. It is equipped with a remaining battery indicator. Two types of dedicated microphones are made available for the TS-921 as optional products: the TS-923, TS-903 standard type and the TS-924, TS-904 long type.

SPECIFICATIONS

Power Source	Supplied from optional lithium-ion battery or AC adapter
Current Consumption	Max. 390 mA
Infrared Emitter/Detector	
Wavelength	870 nm (AM: Brightness modulation)
Modulation Method	Frequency modulation
Carrier Frequency	Transmission: Audio channel 1: 7.35 MHz Audio channel 2: 8.10 MHz Audio channel 3: 8.55 MHz Audio channel 4: 9.15 MHz Control channel: 6.45 MHz Reception: Base language channel: 1.95 MHz Translation language channel: 2.25 MHz
Covering Range	7 m (22.97 ft) (radius)
Input	Microphone terminal: XLR-4-31 type
Output	Monitor speaker: 8 Ω, 0.2 W Headphone: Ø3.5 mm mini Jack (3P: monaural) × 2
LED Indicator	Speech indicator, Voting status indicators 1 -3, Power indicator
Function	Monitor volume control, Headphone volume control, Priority speech function, Voting function, Monitor selector switch (MAIN/SUB)
Battery Life	Approx. 10 hours
Operating Temperature	0 °C to +40 °C (32 °F to 104 °F)
Operating Humidity	90 %RH or less (no condensation)
Finish	Case: PC resin, black Speaker net: Steel plate, black, mat finish, paint
Dimensions	205.7 (W) × 70.3 (H) × 164.2 (D) mm (8.1" × 2.77" × 6.46")
Weight	525 g (1.16 lb)
Option	Microphone: TS-923, TS-903, TS-924, TS-904 (Select either one.) Lithium-ion battery: BP-920, BP-900A AC adapter: AD-0910

APPEARANCE



UNIT:mm SCALE:1/4