

## DESCRIPTION

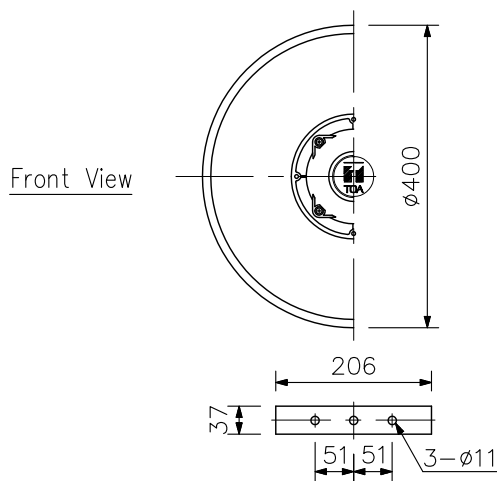
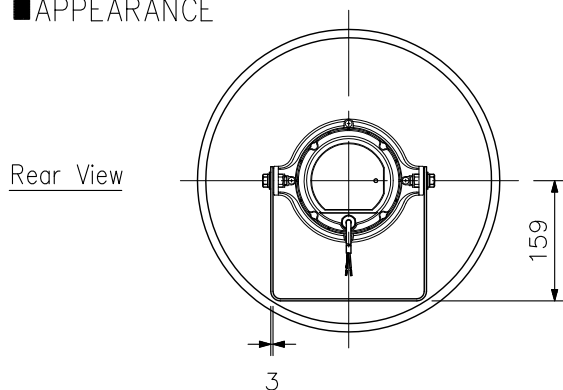
The TC-615M is a highly intelligible, general-purpose speaker suited to public address announcement applications. Its external speaker component finished with powder coating, and stainless steel screws ensure the unit's weatherproof capability.

## SPECIFICATIONS

Rated Input	15 W
Line Voltage	100 V line or 70 V line
Rated Impedance	100 V line: 670 Ω (15 W), 1 kΩ (10 W), 2 kΩ (5 W), 3.3 kΩ (3 W) 70 V line: 330 Ω (15 W), 670 Ω (7.5 W), 1 kΩ (5 W), 2 kΩ (2.5 W), 3.3 kΩ (1.5 W)
Sound Pressure Level	108 dB (1 W, 1 m)
Frequency Response	250 Hz – 7 kHz
Dust/Water Protection	IP65
Polarity	Hot: Black, Com: White
Operating Temperature	-20 °C to +55 °C (must be free from dew condensation)
Finish	Horn flare: Aluminum, off-white, powder coating Reflector horn: ABS resin, off-white Bracket holder: Aluminum, gray, powder coating Bracket: Steel, gray, powder coating Rear cover: ABS resin, gray Screw and bolts: Stainless steel Speaker Cable: Polyvinyl chloride insulated cabtyre cable (6 mm in diameter, 600 mm in length)
Dimensions	∅400 (W) × 376 (D) mm
Weight	3.2 kg

Note: Avoid installing the speaker in locations which vibrate considerably, or under environments easy to be oil-contaminated.

## APPEARANCE



Bracket dimensional diagram

UNIT: mm SCALE: 1/10

