

**TOA**

CEILING MOUNT SPEAKER 5INCH 6W

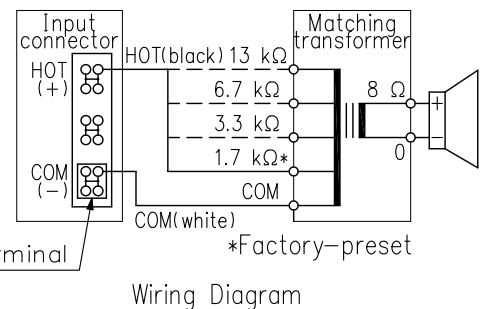
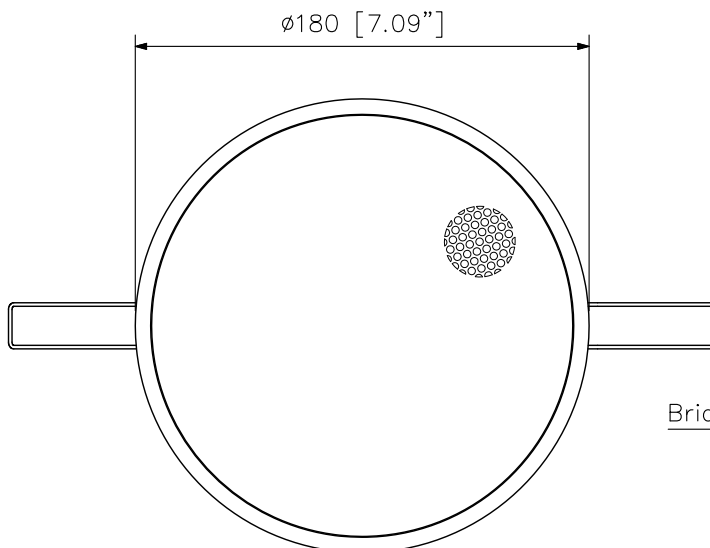
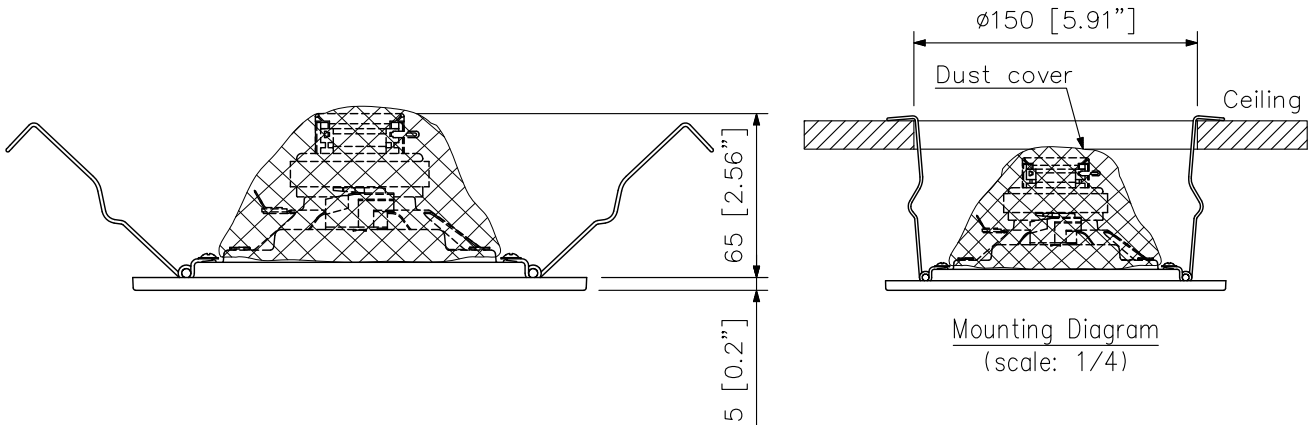
PC-1860

DESCRIPTION

The PC-1860 Ceiling Mount Speaker is of all metallic construction and ideal for use in a voice alarm system or BGM system. It features a spring clamp mechanism for easy mounting to the ceiling. The input impedance can be easily changed by changing the tap position of the transformer. The push-in type input terminal block makes cable connection easy and allows bridge wiring.

SPECIFICATIONS

Rated Input	6 W (100 V line), 3 W (70 V line)
Rated Impedance	100 V line: 1.7 kΩ (6 W), 3.3 kΩ (3 W), 6.7 kΩ (1.5 W), 13 kΩ (0.8 W) 70 V line: 1.7 kΩ (3 W), 3.3 kΩ (1.5 W), 6.7 kΩ (0.8 W), 13 kΩ (0.4 W)
Sensitivity	94 dB (1 W, 1 m) (500 Hz – 5 kHz, pink noise)
Frequency Response	80 Hz – 20 kHz (peak –20 dB)
Speaker Component	12 cm (5") cone-type
Operating Temperature	-10 °C to +50 °C (14 °F to 122 °F)
Dimensions for Fixing Hole	Mounting hole: $\phi 150 \pm 3$ mm (5.91" ± 0.12 ") Ceiling thickness: 5 – 25 mm (0.2" – 0.98")
Speaker Mounting Method	Spring clamp
Applicable Cable	Solid wire: 0.5 – 3 mm ² (AWG 20 – 12)
Connection	Push wire connection (Bridging terminal-2 branch type)
Finish	Frame: Steel plate, white (RAL 9016 equivalent), paint Grille: Steel net, white (RAL 9016 equivalent), paint
Dimensions	$\phi 180 \times 70$ (D) mm (7.09" \times 2.76")
Weight	560 g (1.23 lb)
Accessory	Paper pattern *1

APPEARANCE

Note: Use transformer terminals when changing input impedance.

UNIT: mm SCALE: 1/3