

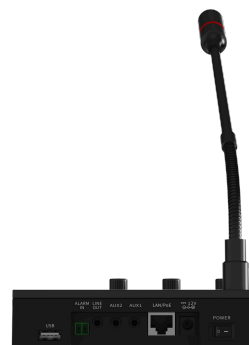
GEN-9101N Network Paging Console

INTRODUCTION

SPON Network Paging Console GEN-9101N is a PoE-enabled network paging console with a built-in mixer, supporting multiple audio input and output options for small-scale background music and public address applications. With a built-in IP Audio Edge Core, it enables unified management of up to 64 terminals and supports scheduled broadcasting, real-time broadcasting, emergency broadcasting, and alarm-linked broadcasting, making it suitable for various indoor paging scenarios.

MAIN FEATURES

- **Built-in Mixer:** Supports multiple audio input methods and provides mixed audio output, making it ideal for background music and public address applications in small-scale scenarios.
- **IP Audio Edge Core:** Built-in IP Audio Edge Core supports unified management of up to 64 network terminals without requiring an additional dedicated management host.
- **Multiple Broadcasting Modes:** Supports emergency broadcasting, scheduled broadcasting, real-time broadcasting, and alarm-linked broadcasting for flexible audio applications.
- **Remote Configuration and Management:** Supports network-based device configuration and management, improving deployment and maintenance efficiency.
- **PoE-Powered Design:** Supports PoE power supply for simplified installation and cabling, suitable for indoor desktop paging applications.



PARAMETERS:

Network Interface	100BASE-TX, RJ45
PoE	IEEE 802.3af/at
Power Input	1 × DC 12V
Network Protocols	TCP/IP, UDP, HTTP, RTP, ARP, ICMP, NTP, DHCP
Configuration	Web Interface or DevConfig Tool
Audio Input	2 × 3.5mm Audio Jacks
Maximum Input Voltage	500mV
Audio Output	1 × 3.5mm Audio Jack
Speaker Unit	Φ42mm Full-Range Speaker
Speaker Sensitivity	77 ± 3dB (1m/1W)
Speaker Power	3W
Frequency Response	100Hz to 16KHz
Gooseneck Microphone Sensitivity	-45dB ± 3dB
Gooseneck Microphone Impedance	250Ω ± 30%
Display Size	4.0 inches
Display Resolution	480 × 480
Setting Shortcut Key	× 1
Broadcast Shortcut Key	× 1
Intercom Shortcut Key	× 1
Return Key	× 1
Monitoring Shortcut Key	× 1
Volume Adjustment Knob	× 3
USB	USB 2.0
Control Input	1 × 2-Pin Phoenix Connector
Power Switch	× 1
Registered Terminal Quantity	64
Max Supported Zone Quantity	64
Mounting Method	Desktop
Installation Environment	Indoor
Housing Material	Aluminum Alloy + ABS
Color	Black
Dimensions	144 × 144 × 34 mm
Package Dimensions	340 × 252 × 102 mm
Weight	0.55 kg
Operating Temperature	0°C to +45°C



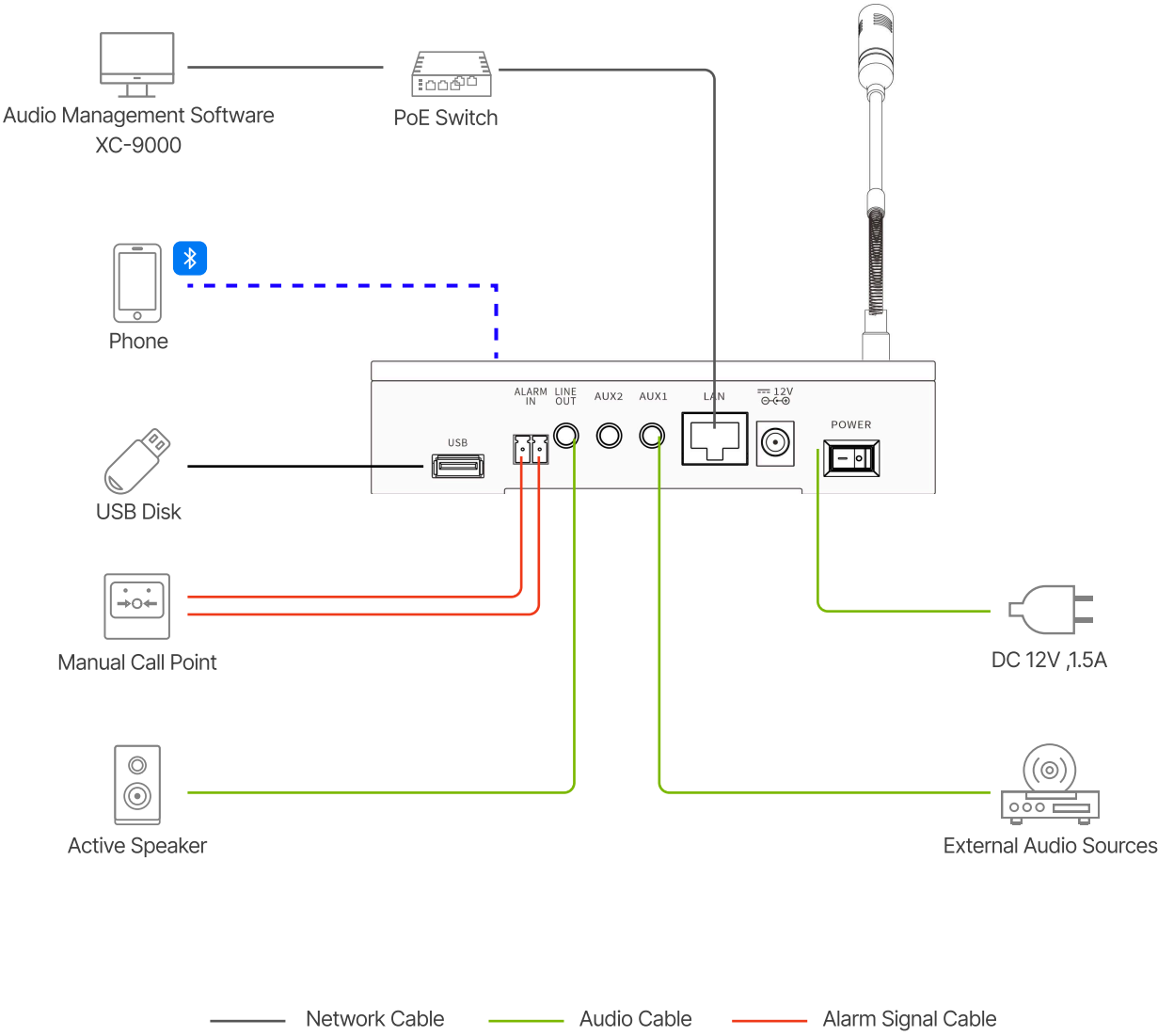
PARAMETERS:

Operating Humidity	≤90% RH, non-condensing
Warranty	2 Years

ACCESSORIES:

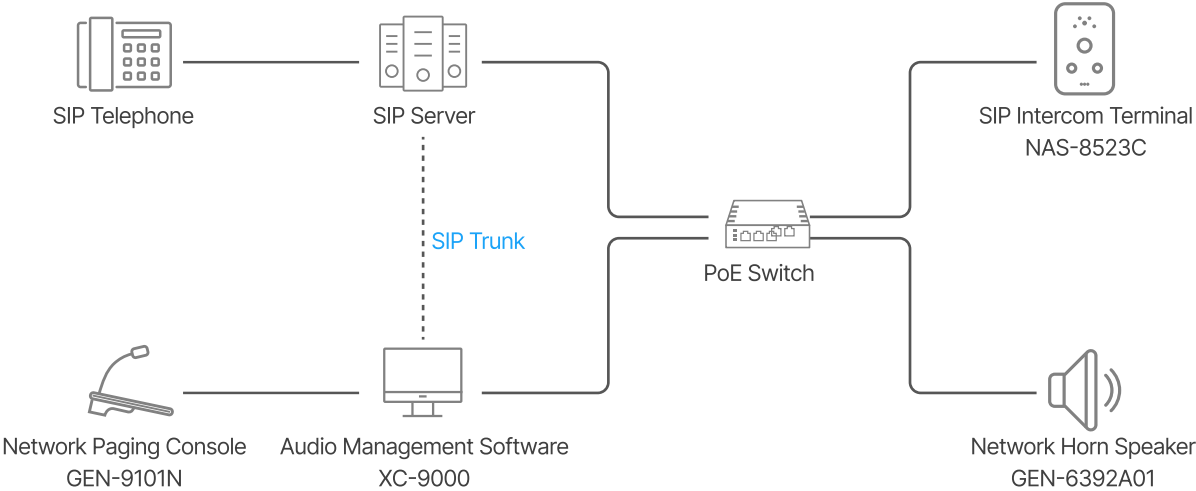
ACCESSORIES	1 × 2-Pin Terminal 1 × Gooseneck Microphone 1 × Power Adapter (DC12V/1.5A, Optional)
-------------	--

CONNECTION DIAGRAM



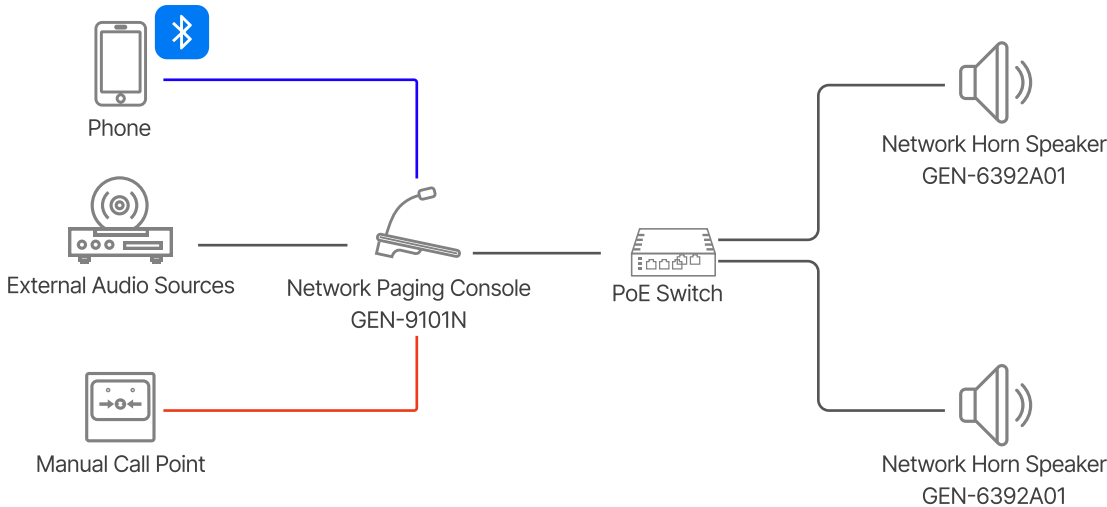
APPLICATION 1

The GEN-9101N Network Paging Console supports both initiating and receiving audio intercom with third-party VoIP phones (SIP Trunk) and SIP intercom terminals. It also enables live broadcasting to network speakers.



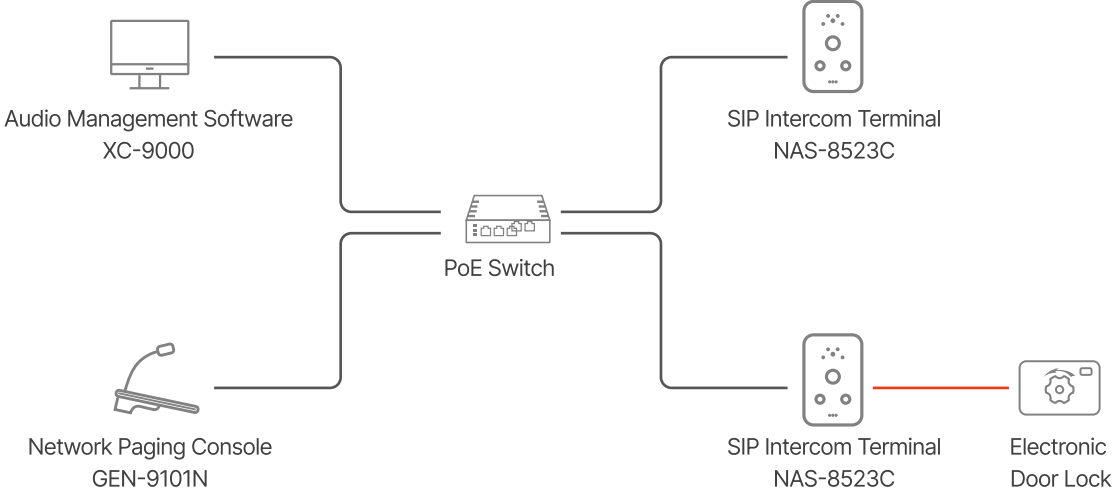
APPLICATION 2

The GEN-9101N Network Paging Console is equipped with a built-in server, capable of managing up to 64 IP terminal devices independently. The embedded server supports scheduled tasks function to realize unattended regular audio playback. Meanwhile, the device accepts multiple audio source inputs including phones, CD players, Bluetooth signals and local audio files, and supports multi-audio mixing output. In addition, it is provided with alarm input interfaces that can connect and integrate with third-party alarm devices. By configuring customized fire alarm tasks on the built-in server, the console can trigger automatic emergency fire broadcasting through alarm linkage.



APPLICATION 3

The GEN-9101N Network Paging Console supports multi-party calling and remote door release, offering simple configuration and user-friendly operation.



DIMENSION

<p>GEN-9101N</p>		<p>PRODUCT DESCRIPTION NETWORK PAGING CONSOLE</p>
<p>MM</p>	<p>WEIGHT</p>	<p>OUTER DIMENSIONS (W*H*D)</p>
	<p>0.55 kg</p>	<p>144 x 144 x 34 mm</p>
		<p>UNIT HEIGHT</p>
		<p>N/A</p>