



IP REMOTE MICROPHONE

IP-300RM
(1CE/4CE)

DESCRIPTION

The IP-300RM is an IP remote microphone designed for use with TOA's network PA system IP-3000 that employs the packet audio technology. It can transmit the input signal to the system through LAN or WAN and then broadcast and output the signal through other terminals in the system. It can also be used to monitor other broadcasted sounds of input in the system. Moreover, keys of the equipment can be set through software to realize remote control.

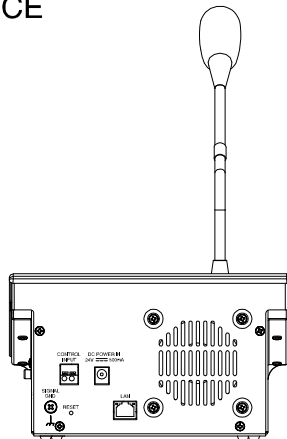
SPECIFICATIONS

(*1) 0dB = 1Vrms

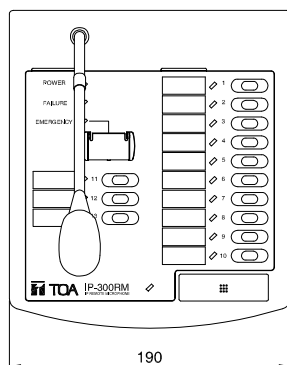
Power Source	AC 100-240V 50/60Hz, current consumption: less than 250mA
Control input	No-voltage control contact input, no-screw wiring terminal Open-circuit voltage:24V DC,short-circuit current:less than 5mA
Network connection	Corresponding to 100 BASE-T network connection,Ethernet RJ45 jack
Audio input	-20dB ^{*1} , 10kΩ, unbalanced, Φ 3.5mm stereo mini-jack
Audio output	0dB ^{*1} , 600Ω, unbalanced, Φ 3.5mm monophonic mini-jack (optional transformer balanced output)
Frequency Response	20Hz - 20kHz (MIC 100Hz - 16kHz)
Microphone	Unidirectional electret condenser microphone
Key	13 number keys , 1 emergency key and 1 talk key
Display	Greenpower indicator ×1, orange failure indicator ×1, red emergency indicator ×1, and green/orange selection indicator ×13
Volume control	Audio input volume control, microphone volume control and monitor speaker volume control
Finish	Panel: ABS resin (black), box: Surface-treated steel plate
Dimensions	190 (W) × 113 (H) × 216.5 (D)mm (excluding gooseneck microphone)
Weight	1.5kg
Accessory	AC power adapter ×1, AC power cord ×1

APPEARANCE

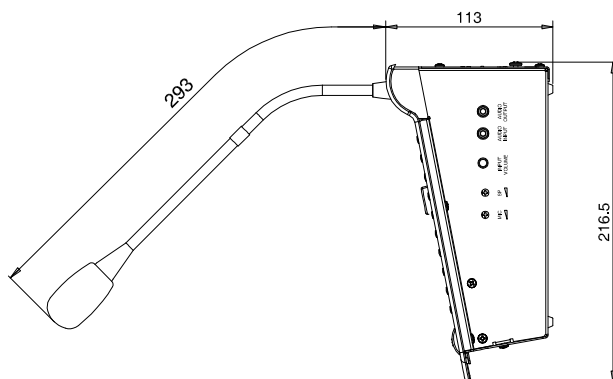
Rear view



Front view



Side view



UNIT: mm SCALE:1/5