

DESCRIPTION

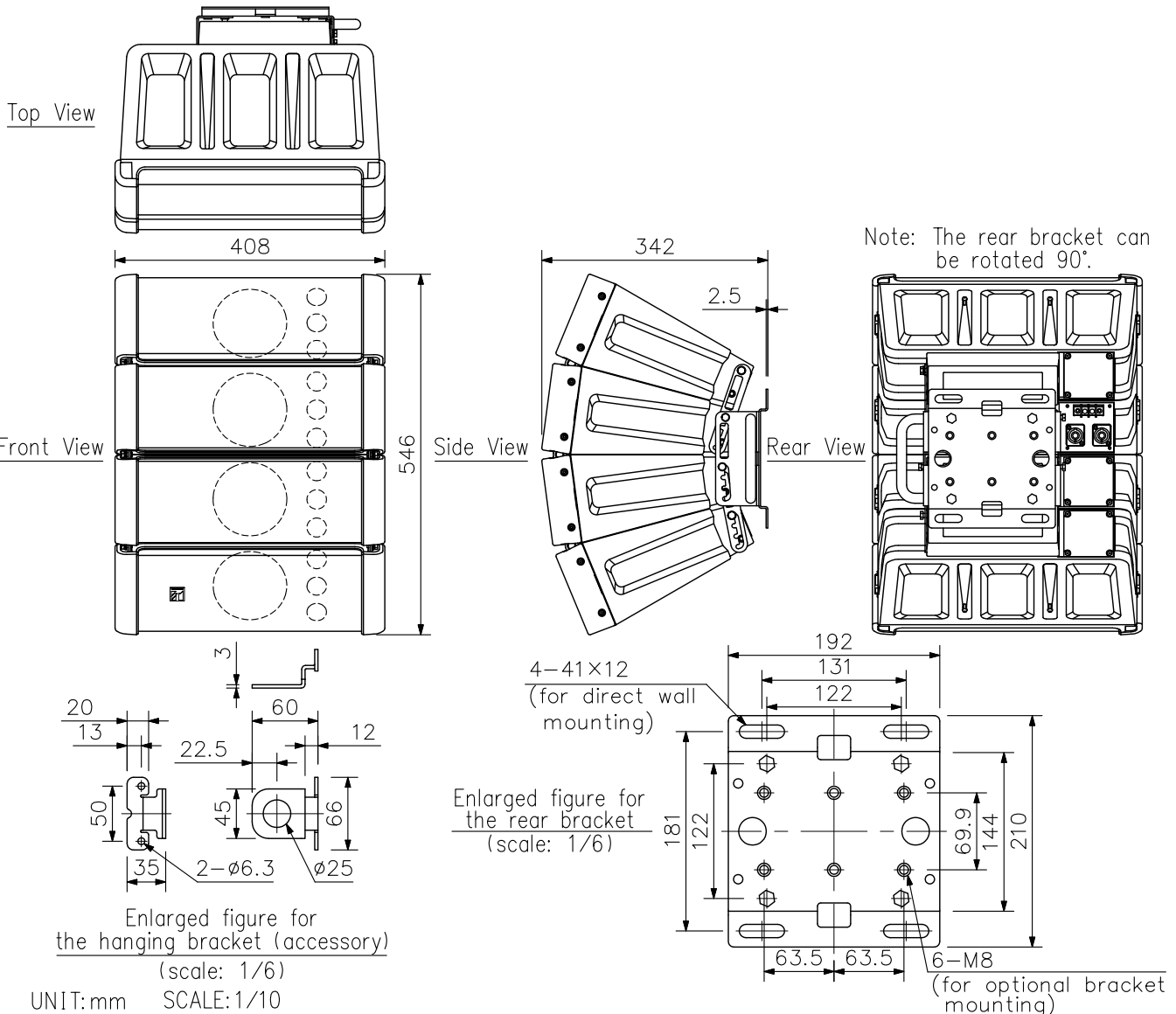
The HX-5B is a 2-way compact speaker system that permits both constant directivity control over a wide frequency range and changes in directivity. It is ideal for reproducing clear sound in spaces with long reverberation times or high background noises. The HX-5B is designed for indoor use.

SPECIFICATIONS

Enclosure	Bass-reflex type
Power Handling Capacity	Continuous pink noise: 200 W, Continuous program: 600 W
Rated Impedance	8 Ω
Sensitivity (1 W, 1 m)	96 dB (60° mode), 97 dB (45° mode), 98 dB (30° mode), 99 dB (15° mode) *
Frequency Response	70 Hz - 20 kHz (-10 dB) (60° mode), 75 Hz - 20 kHz (-10 dB) (45° mode), 80 Hz - 20 kHz (-10 dB) (30° mode), 85 Hz - 20 kHz (-10 dB) (15° mode)
Crossover Frequency	4 kHz
Directivity Angle	Horizontal: 100° (2 kHz or more) Vertical: 60° (800 Hz or more), 45° (1.2 kHz or more), 30° (1.6 kHz or more), 15° (3.2 kHz or more) variable
Speaker Component	Low frequency: 12 cm cone-type X 4, High frequency: Balanced dome-type X 12
Input Terminal	Speakon NL4MP X 2 and M4 screw terminal
Finish	Enclosure: Polypropylene, black Punched net: Surface-treated steel plate, black
Dimensions	408 (W) X 546 (H) X 342 (D) mm
Weight	16 kg
Accessory	Hanging bracket ...2, Hex. wrench ...1
Option	Matching transformer: MT-200 Speaker mounting bracket: HY-PF1B, HY-CW1B, HY-WM1B, HY-WM2B, HY-CN1B Speaker stand adapter: HY-ST1

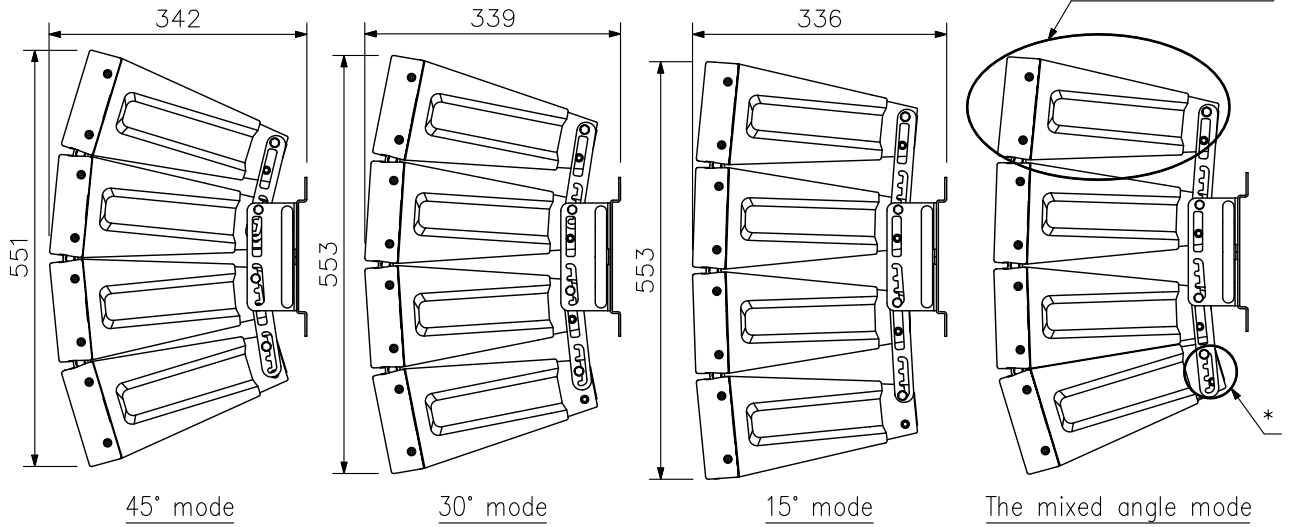
APPEARANCE

* (Factory-preset: 60° mode)



■ **APPEARANCE**

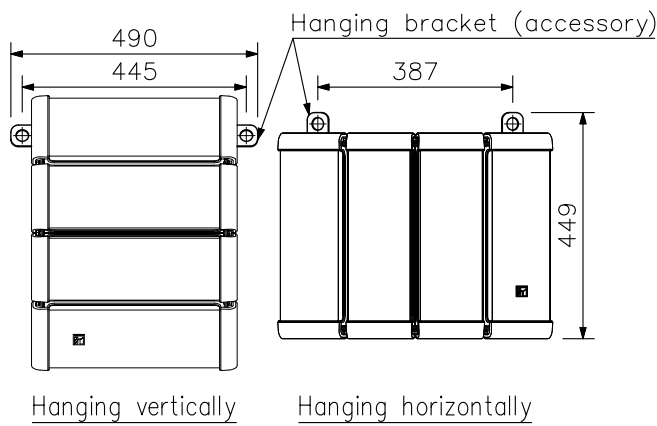
Example for directivity angle modes



The mixed angle mode
 * The angle between the successive speaker modules can be changed by four steps individually.

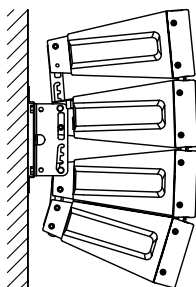
Example for hanging bracket mounting

(scale: 1/15)



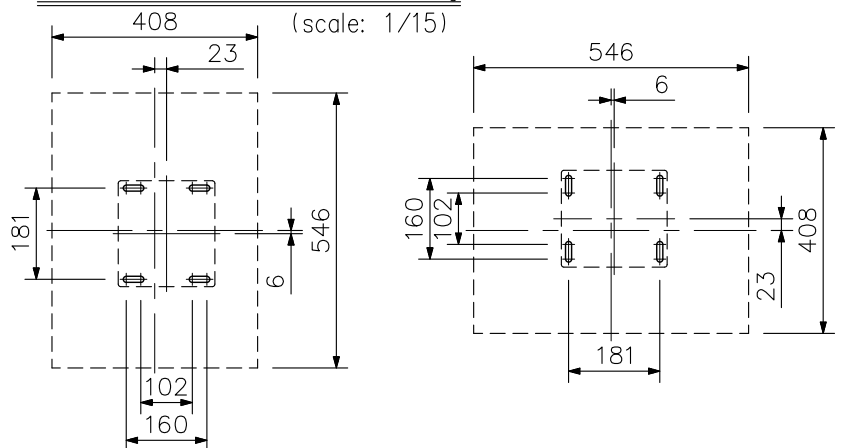
Example for direct wall mounting

(scale: 1/15)



Dimensions for direct wall mounting

(scale: 1/15)



When the speaker is set vertically (60° mode)

When the speaker is set horizontally (60° mode)

UNIT:mm SCALE:1/10