

TOA MEGAPHONE (WITH WHISTLE SIGNAL) ER-520W/(EU)

DESCRIPTION

Small in size and light in weight, the ER-520W megaphone can be easily carried by a single hand. It can also provide a whistle tone. The newly developed polyimide diaphragm is employed to ensure high sound quality.

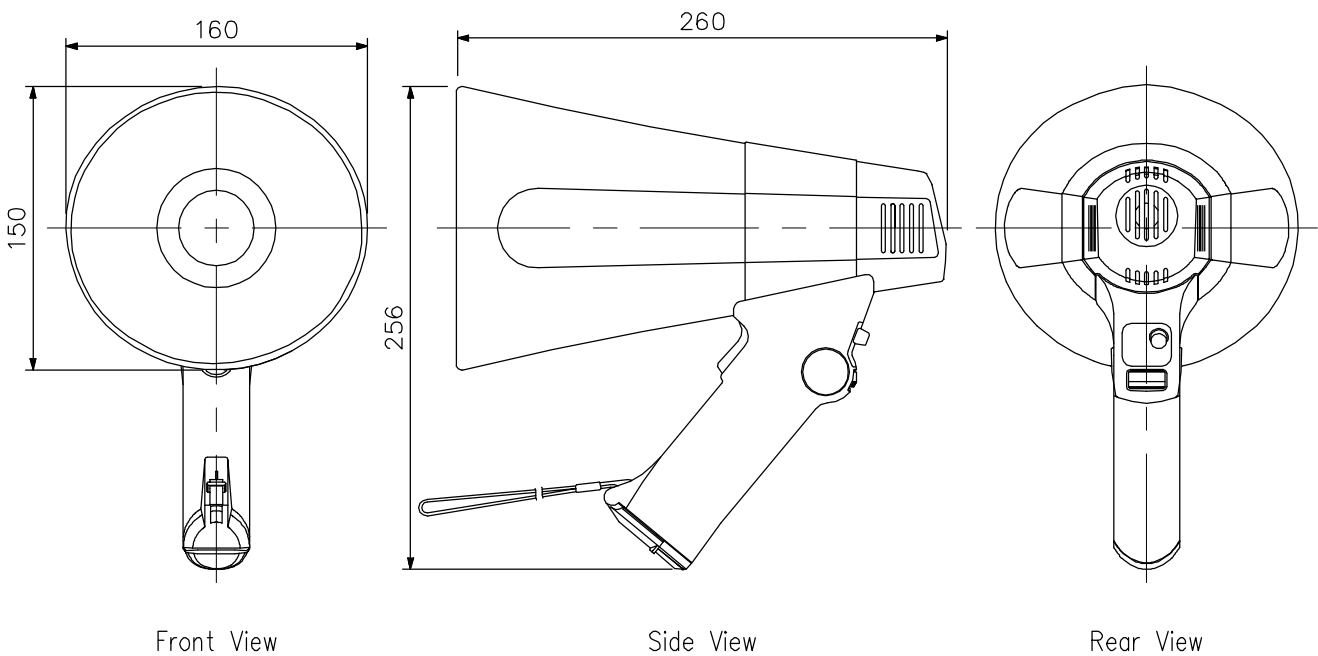
SPECIFICATIONS

| | |
|----------------------------|---|
| Power Source | R6P (AA) × 8 (12 V DC) |
| Rated Output | 6 W |
| Maximum Output | 10 W |
| Signal Sound | Whistle |
| Battery Life | Voice: Approx. 10 hours (JEITA)* Whistle: Approx. 30 minutes (JEITA)* |
| Audible Range (City areas) | Voice: Approx. 250 m (JEITA)* Whistle: Approx. 315 m (JEITA)* |
| Diaphragm | Polyimide film |
| Operating Temperature | -10 °C to +40 °C |
| Finish | Horn: ABS resin, light gray Strap: Tetoron, black Handle, mouth and others: ABS resin, gray |
| Dimensions | 160 (W) × 256 (H) × 260 (D) mm |
| Weight | 650 g (without batteries) |

Note: Batteries are optional.

* JEITA: Japan electronics and information technology industries association. (EIAJ TT-4501A)

APPEARANCE



<Note on the audible range and battery life>

1. The indications of the audible range and battery life are based on the JEITA Standard*.
2. Audible Range presumes that the megaphone employs new batteries and is used on a quiet street.
It varies depending on such conditions as battery consumption, ambient noise, wind direction and obstacles.
3. Battery Life assumes that megaphone is used for 30 minutes a day.

UNIT: mm SCALE: 1/4