

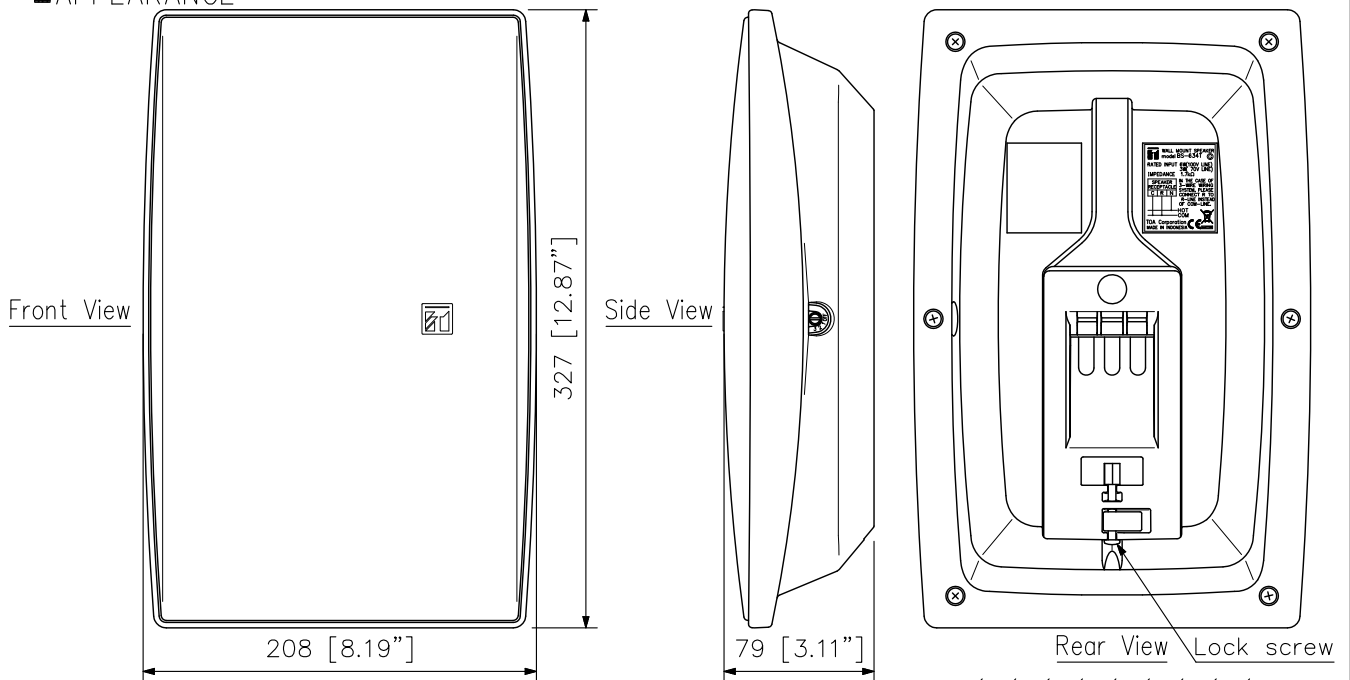
### DESCRIPTION

The BS-634T can be installed easily on the wall with help of the plug-in speaker receptacle.

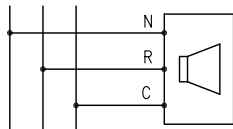
### SPECIFICATIONS

Rated Input	6 W
Rated Impedance	100 V line: 1.7 kΩ (6 W) 70 V line: 1.7 kΩ (3 W)
Sensitivity	90 dB (1 W, 1 m)
Frequency Response	120 Hz - 18 kHz
Speaker Component	12 cm (5") cone-type
Input Connector	M4 screw terminal, distance between barriers: 11 mm (0.43")
Attenuation	OFF (NC), 1 (-12 dB), 2 (-6 dB), 3 (0 dB)
Finish	Enclosure: HIPS resin (fire resistant grade UL94 V-0 or its equivalent), off-white (RAL 9010 or equivalent color) Net: Surface-treated steel plate, off-white (RAL 9010 or equivalent color), paint
Dimensions	208 (W) × 327 (H) × 79 (D) mm (8.19" × 12.87" × 3.11")
Weight	1.3 kg (2.87 lb)
Accessory	Speaker receptacle ---1, Wall mounting screw ---2

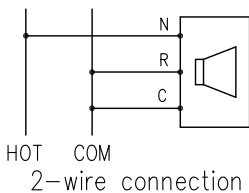
### APPEARANCE



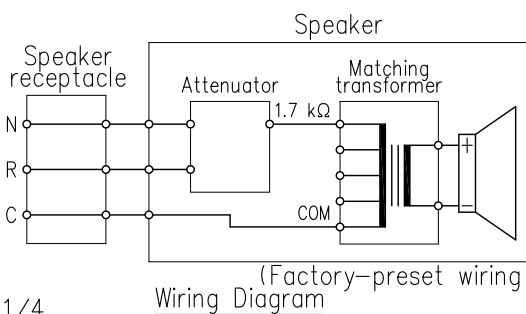
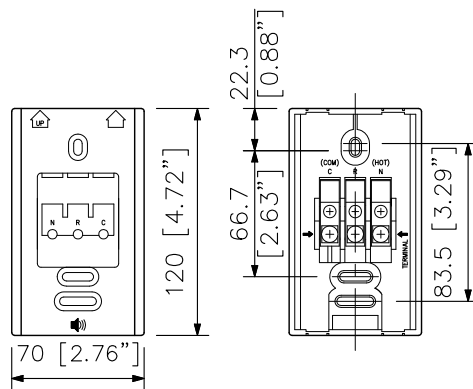
Enlarged view of speaker receptacle



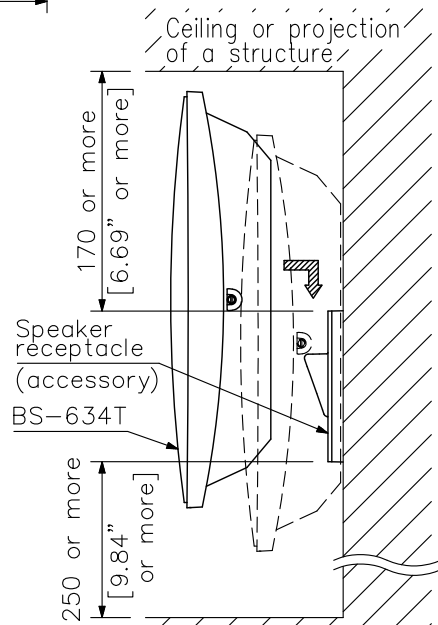
N R COM  
3-wire connection



HOT COM  
2-wire connection



Wiring Diagram



Note: As a force of approx. 18 kg (39.68 lb) is applied to the speaker receptacle at the time of speaker installation, attach it in a location durable enough to withstand the force.  
Installation view (scale: 1/6)