

■DESCRIPTION

TOA's A-3600D Series is a PA amplifier equipped with 4 microphone inputs and 3 auxiliary inputs, and 2-channel zone selector. It employs a PFC circuit. It also features the following functions: Volume control function, Priority function, Chime function, and Remote confirmation function. In addition, it is equipped with a 2-channel input BUS of BUS 1 and BUS 2, and the signal processing function. The A-3600D Series mixer amplifier is ideal for paging announcement and BGM applications in schools, offices, and super markets.

■SPECIFICATIONS

Power Source	100 – 240 V AC, 50/60 Hz
Rated Output	120 W
Power/Current Consumption	171 W (rated output), 48 W (based on EN62368), 200 mA or less (when power switch is OFF)
Frequency Response	50 Hz – 20 kHz ±3 dB (1/8 rated output)
Distortion	1 % or less at 1 kHz, rated power (20 kHz LPF (AUX-0025))
Tone Control	Bass: ±10 dB at 100 Hz Treble: ±10 dB at 10 kHz
Signal to Noise Ratio	88 dB or more (Master volume: min) 76 dB or more (Master volume: max) 55 dB or more (INPUT 1 – 6) 72 dB or more (INPUT 7) (A-weighted)
Audio Input	INPUT 1, 2: -60 dB (*1) (MIC)/-20 dB (*1) (LINE) selectable, 600 Ω, electronically-balanced, removable terminal block (3 pins) Note: MIC inputs are equipped with phantom power (24 V DC, ON/OFF switchable). INPUT 3, 4: -60 dB (*1), 600 Ω, electronically-balanced, removable terminal block (3 pins) Note: Equipped with phantom power (24 V DC, ON/OFF switchable). INPUT 5, 6: MIC (BUS 1)/LINE (BUS 2) selectable MIC: -60 dB (*1), 600 Ω, electronically-balanced, removable terminal block (3 pins) LINE: -20 dB (*1), 10 kΩ, unbalanced, RCA pin jack × 2 INPUT 7: -20 dB (*1), 10 kΩ, unbalanced, RCA pin jack × 2 PWR AMP IN: 0 dB (*1), 600 Ω, unbalanced, RCA pin jack
Input Bus	INPUT 1 – 4 : BUS 1 INPUT 5, 6 : BUS 1/BUS 2 selectable INPUT 7 : BUS 2
Audio Output	SPEAKER OUT: Low impedance (4 – 16 Ω)/ High impedance (DIRECT, ZONE 1/ZONE 2: 100 V/total 83 Ω), removable terminal block (6 pins) (ZONE 1/ZONE 2 is selectable, Max. 120 W per output) REC OUT: 0 dB (*1), 600 Ω, unbalanced, RCA pin jack LINE OUT 1, 2: 0 dB (*1), 600 Ω, unbalanced, RCA pin jack, (Interlock with zone selection is possible)
Control Input	4 channels, no-voltage make contact input, open voltage: 35 V DC or less, short-circuit current: 10 mA or less, removable terminal block (4 pins) REMOTE VOLUME: Removable terminal block (4 pins) ZONE CONTROL IN: No-voltage make contact input, open voltage: 35 V DC or less, short-circuit current: 10 mA or less, removable terminal block (4 pins)
Control Output	POWER REMOTE OUT: Open collector output, withstand voltage: 30 V DC or less, control current: 25 mA or less, removable terminal block (4 pins) EMERGENCY OUT: Open collector output, withstand voltage: 30 V DC or less, control current: 25 mA or less, removable terminal block (4 pins) ZONE CONTROL OUT: Open collector output, withstand voltage: 30 V DC or less, control current: 25 mA or less, removable terminal block (4 pins)
Chime	1-note, 2-note, or ascending 4-note chime, or None selectable with switch setting
Indicators	5-point LED output level meter, Power indicator LED, LAN Connect indicator LED, Priority indicator LED, Emergency indicator LED, Thermal protection indicator LED, Over current protection indicator LED, CPU RUN indicator LED, Error indicator LED, Zone 1 indicator LED, Zone 2 indicator LED
Operating Temperature	-10 °C to +40 °C (14 °F to 104 °F)
Operating Humidity	85 %RH or less (no condensation)
Finish	Panel: ABS resin, black Case: Surface-treated steel plate, black, paint
Dimensions	420 (W) × 96.1 (H) × 313.1 (D) mm (16.54" × 3.78" × 12.33")
Weight	5 kg (11.02 lb)

## SPECIFICATIONS

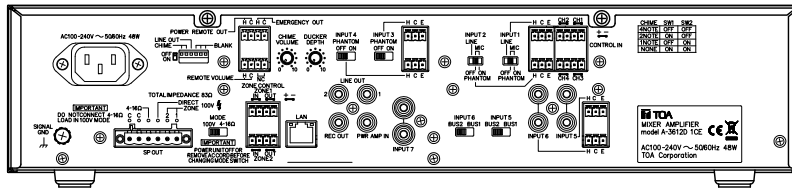
Accessory	Power cord (2 m (6.56 ft)) ---1, Audio input removable terminal plug (3.81 mm, 3 pins) ---6, Control I/O removable terminal plug (3.81 mm, 4 pins) ---4, Remote control removable terminal plug (3.5 mm, 4 pins) ---2, Speaker out removable terminal plug (5 mm, 6 pins) ---1, Volume control cover ---4
Option	Rack mounting bracket: MB-25B Perforated panel : PF-013B

(\*1) 0 dB = 1 V

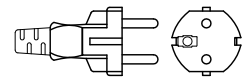
## APPEARANCE

### Rear View

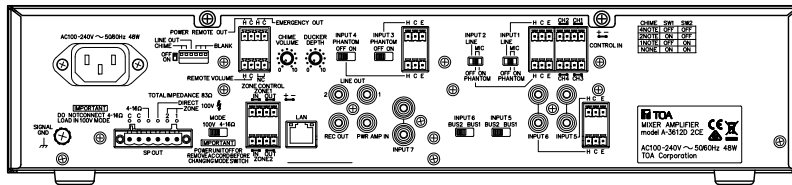
1CE model



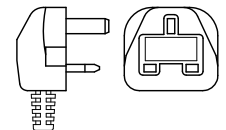
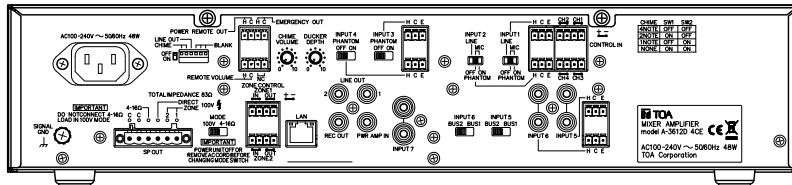
AC plug



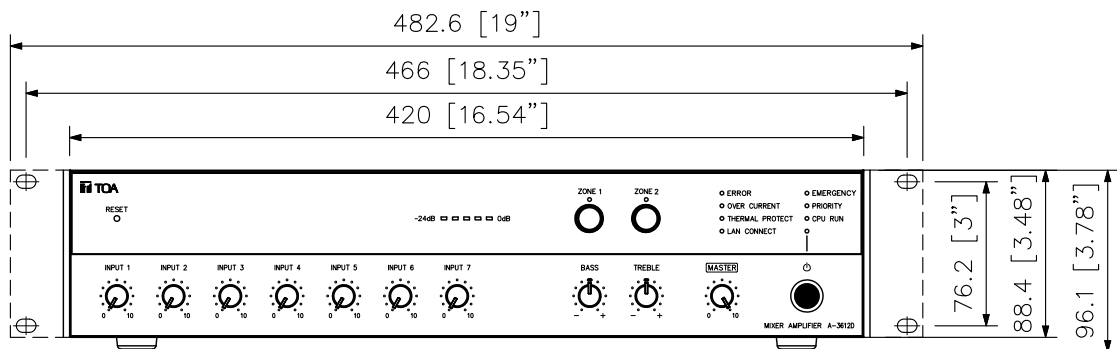
2CE model



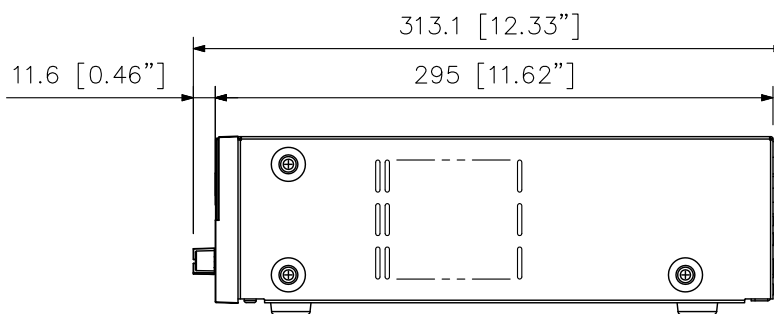
4CE model



### Front View



### Side View



UNIT: mm SCALE: 1/4