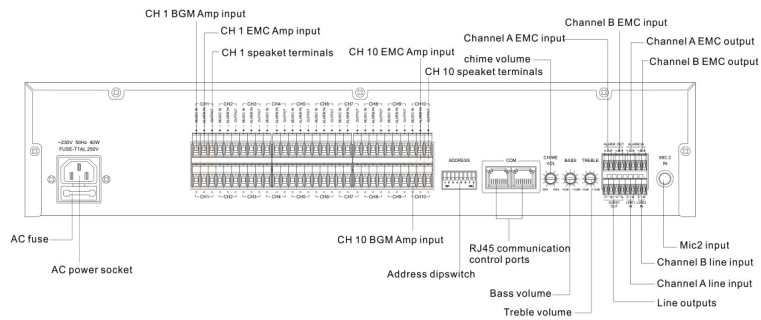




# 10 Zone Paging Controller with Speaker Selector T-6212(A)



## Description:

- \* Equipment with paging management and power management.
- \* It is suitable for small broadcasting system which needs paging, music playing and alarm.

## Features:

- \* Standard cabinet design (2U).
- \* Built-in 10 zone selector and paging selector, which can be expanded to 300 zones. Each zone power capacity is 500W, and the total ten zones capacity is 5000W.
- \* With memory function when power off, it can realize the restoration after electricity is turn on.
- \* Two-color zones status indicators accurately indicate music, paging or alarm status.
- \* Music zone play control function to realize music playback in any zone.
- \* Local and ultra remote (1km) zone paging function.
- \* 3 levels of input priority from high to low: EMC input, Mic1, remote paging console (equivalent priority with built-in chime).
- \* Built in 4-scale bell tone.

## Specifications:

Model	T-6212(A)
Power Supply	~220V 50Hz
Power Supply	35W
Communication Protocol	RS-422
Communication Interface	RJ45
Communication Rate	4800bps
Dimensions	484×303×88mm
Weight	5.04Kg