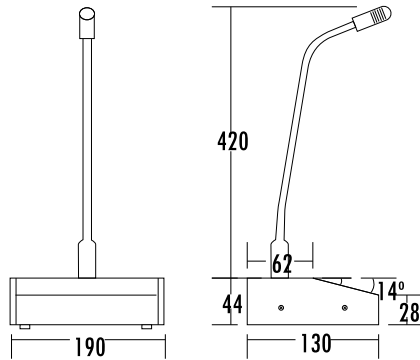




# Microphone

## T-521A (Built-in chime)



|                            |              |
|----------------------------|--------------|
| <b>Model</b>               | T-521A       |
| <b>Capsule Type</b>        | Condenser    |
| <b>Polar Pattern</b>       | Cardioid     |
| <b>Frequency Response</b>  | 40Hz-16000Hz |
| <b>Mic Sensitivity</b>     | -43±2dB      |
| <b>Prelude Sensitivity</b> | -50dB±2dB    |
| <b>Power Supply</b>        | DC9V/AC12V   |
| <b>Distance</b>            | 10m          |