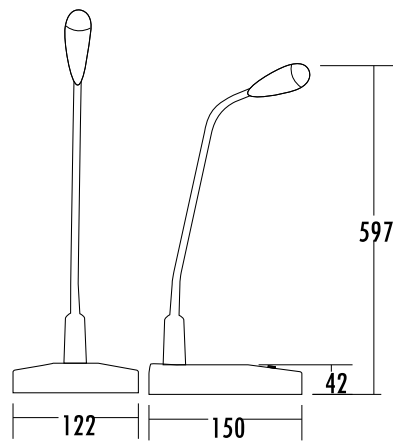




Microphone

T-511G (Round ring indicator)



Model	T-511G
Element	Style Of Capacitance
Polar Pattern	Super Heart-shape
Sensitivity	-35dB±3dB
Frequency	60Hz~14000Hz
Output Impedance	≤200Ω
Operating Voltage	DC9V