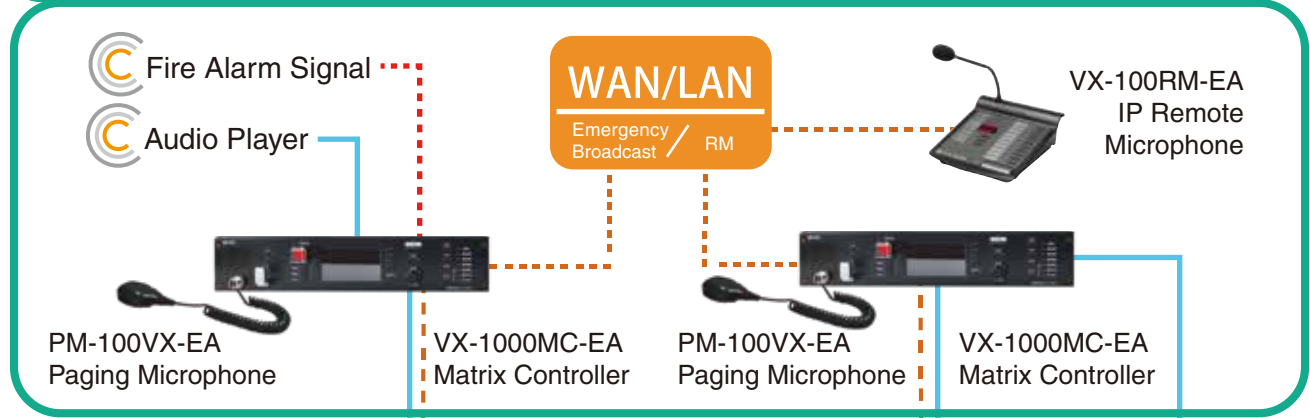
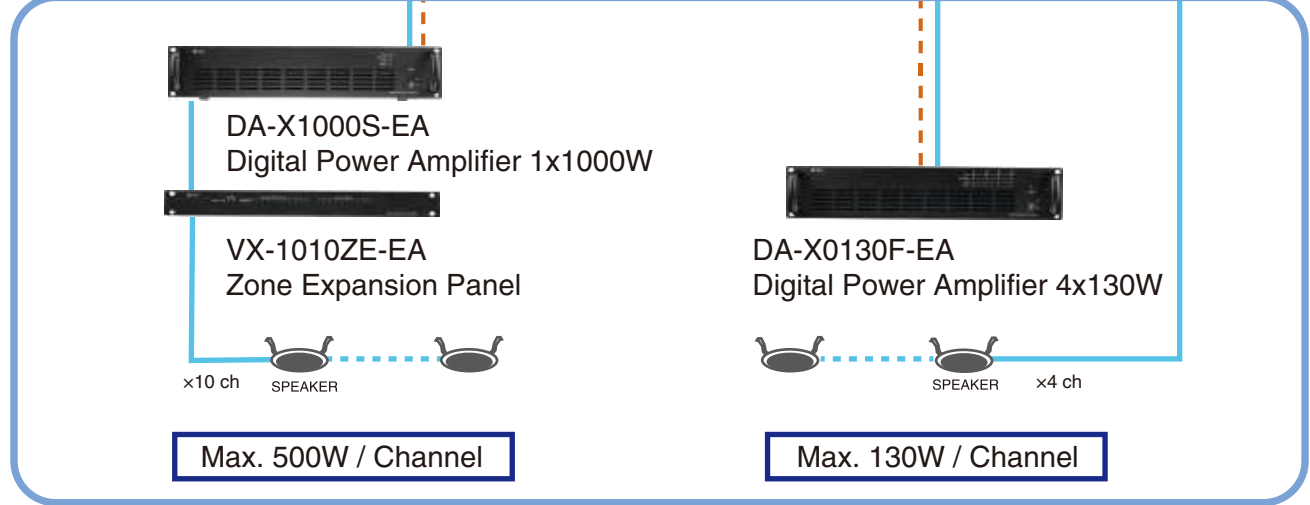


Control Room



Broadcast Area



VX-1000 Series

IP Integrated Voice Evacuation System



TOA (Hong Kong) Limited

www.toa.com.hk

Specifications are subject to change without notice.
Printed in Hong Kong

Description

The VX-1000 series operates TCP/IP network that provides flexibility for different sized projects. With extensive functions including speaker line, fault detection and ambient noise sensor, the system is suitable for a large variety of application. like office buildings, hotels and parks.

Features

- » Decentralized: operates TCP/IP network, can expand the system size with the network easily
- » Compact: All functions except power amplifiers are integrated in one matrix controller.
- » Simple: Simple configuration thanks to small numbers of system components.
- » High reliability: with power amplifier fault detection, speaker line fault detection, redundant functions for amplifier, power and network, CPU OFF, etc., to ensure the safe operation of the system in different applications.
- » Energy saving: Low-loss Class D amplifiers with different output ratings, which can be flexibly matched according to demands and also can reduce the number of equipment and occupying space.

Maximum System Capacity

Terminal Number	500	Number of Control Input	4,000
Number of Audio Input	2,000	Number of Control Output	4,000
Number of Audio Output	2,000		

VX-1000MC-EA Matrix Controller

- » Hard buttons and knobs for easy broadcast operations
- » 4.3 inch LCD screen displays operation information, fault information, equipment information
- » ANC noise detection function
- » Equipment and speaker line have fault detection



Model	VX-1000MC-EA	
Power Source	Main Power Input: AC220V, 50Hz, European standard terminal Standby Power Input: AC220V, 50Hz, European standard terminal	
Power Consumption	16.65W	
Audio Input	4 channels, European standard terminal, balanced, input impedance 10KΩ, rated input 0dB	
Auxiliary Audio Input	4 channels, RCA jack, unbalance, input impedance 10KΩ, rated input 0dB: mixing with the audio input interface	
Amplifier interface	4 channels, RJ45 connector	
Auxiliary Audio Output	4 channels, RCA jack, unbalanced, max. 0dB	
Recording output	1channel, RCA jack, unbalanced, max. 0dB	
Noise Detection Input	4 channels, European standard terminal, balanced, rated input 0dB	
Control Input	8 channels, RJ45 connector	
Control Output	8 channels, RJ45 connector	
Volume controller Output	4 channels, European standard terminal	
Speaker Loop Output	4 channels, European standard terminal	
Internal Audio Storage	1GB	
Network I/F	RJ45 connector, 10BASE-T/100BASE-TX, auto negotiation	
Protocol	SIP, NTP, HTTP, RTP, FTP	
Audio Frequency Response	Analog Audio: 20~20,000Hz ±3dB; Network Audio: 40~18,000Hz ±3dB; Internal files: 40~18,000Hz ±3dB	
Distortion	1% or less	
S/N Ratio	70dB or more	
Loop Detection Function	Open circuit, short circuit, ground	
Fault Detection Function	Main power fault, auxiliary power fault, amplifier fault, power supply frame fault	
Operating Temperature	-10°C - +55°C	
Operating Humidity	≤90% RH (no condensation)	
Finish	Panel: Aluminum panel surface oxidation treatment, black	
Dimensions	493(W)×88(H)×396(D)mm	
Wight	6.96kg	
Option	PM-100VX-EA Paging Microphone	

VX-100RM-EA/RM-110VX-EA IP Remote Microphone/ Remote Microphone Extension

- » Powered by PoE
- » Customized function buttons for personalized configuration



Model	VX-100RM-EA
Power Source	DDC 24V/1A or PoE (IEEE 802.3at)
Power Consumption	Lower than 200mA (Single unit of VX-100RM-EA) / Lower than 500mA (when connecting 9 units of RM-110VX-EA)
Audio Input	Balanced, 1V rms (Max: 2 V rms), input impedance 10kΩ
Audio Output	Unbalanced, 1V rms, input impedance 10kΩ or unbalanced, 11.25mW, input impedance 32kΩ
Monitor Speaker	1W
Frequency Response	20~20,000Hz
Audio Control	microphone volume control, monitor speaker volume control
Control Input	Optocoupler isolation circuit input, open circuit voltage DC5V, maximum short-circuit current ≤5mA
No. of Function Keys	10, Max.:100 (when connecting 9 units of RM-110VX-EA)
Network I/F	RJ45, 10BASE-T/100BASE-TX auto-negotiation
Network Protocol	TCP/IP, UDP, HTTP, ARP, RTP, ICMP, IGMP, SIP
Operating Temperature	0°C~+40°C
Operating Humidity	≤90%, no condensation
Finish	ABS resin, black
Dimensions	190(W)×76.5(H)×215(D)mm(excluding microphone)
Option	RM-110VX-EA Remote Microphone Extension

	RM-110VX-EA
Power Consumption	Lower than 20mA (VX-100RM-EA DC pwer input)
No.of Function Keys	10
Operating Temperature	0°C - +40°C
Operating Humidity	≤90%, no condensation
Finish	ABS resin, black
Dimensions	110(W) x 76.5(H) x 215(D) mm

VX-1000PF-EA Peering Frame

- » Power can be supplied to VX-1000DA series digital power amplifier module
- » With active and standby power switching
- » LED light displays the power amplifier operation status
- » 4 power amplifier modules and 1 spare power amplifier modules can be installed



	VX-1000PF-EA
Power Source	AC220V/50Hz
Power Output	Amplifier output 4 channels, auxiliary amplifier output 1 channel
Amplifier interface	Amplifier interface 4 channels, auxiliary amplifier interface 1 channel

VX-1125DA-EA / VX-1250DA-EA / VX-1500DA-EA Digital Power Amplifier Module

- Class D power amplifier modular
- Mounts in the frame units
- 3 different power outputs: 125W, 250W or 500W
- Dust filter, easy to clean



Model	VX-1125DA-EA	VX-1250DA-EA	VX-1500DA-EA
Power Source	AC220V/50Hz		
Power Consumption	30.3W (standby mode) 130W (rated output mode)	27.7W (standby mode) 255W (rated output mode)	28.2W (standby mode) 505W (rated output mode)
Amplification System	Class D		
Output Power	125W	250W	500W
Frequency Response	20Hz-20kHz ±3dB		

DA-X1000S-EA / DA-X0130F-EA Digital Power Amplifier (1x1000W / 4x130W)

- Low-loss Class D power amplifier
- 1 channel 1000W(DA-X1000S-EA)
- 4 channels 130W(DA-X0130F-EA)
- can be used as standby amplifier



	DA-X1000S-EA	DA-X0130F-EA
Power Supply	AC220V-240V, 50Hz/60Hz	
Amplifier	Class D amplifier	
Power Consumption	30W(standby mode), 1200W(Rated output 100V line, 10Ω)	85W(standby mode), 740W(Rated output 100V line, 67Ω x 4)
Input	1 channel: PA LINK (Dedicated Interface with VX-1000MC) 1 channel: AUX INPUT=0dB(1V) (Input level control in maximum position), 20kΩ, electronically-balanced	4 channels: PA LINK (Dedicated Interface with VX-1000MC) 4 channels: AUX INPUT=0dB(1V) (Input level control in maximum position), 20kΩ, electronically-balanced
Rated Output	1 channel: 1,000W (100V line, 10Ω)	4 channels: 130W (100V line, 67Ω)
Frequency Response	110~16,000Hz ±3dB	100~20,000Hz ±3dB
Total Harmonics Distortion	0.4% (1W), 1% (Rated output)	0.4% (1W), 1% (1kHz, Rated output)
Protection Circuit	Overcurrent protection, undervoltage protection, overvoltage protection, overheat protection, short circuit protection	
S/N Ratio	>90dB (A-weighted)	>85dB (A-weighted)
Crosstalk	-	70dB (A-weighted)
Control Input	ACTIVE: Short=AUX INPUT signal source goes Amplifier output/ Open= PA LINK signal source goes Amplifier output	
LED Indicator	POWER (Green) x 1, SIGNAL (Green) x 1, PEAK (Red) x 1, AUX ACTIVE (Orange) x 1, FAULT (Red) x 1	POWER (Green) x 1, SIGNAL (Green) x 4, PEAK (Red) x 4, AUX ACTIVE (Orange) x 4, FAULT (Red) x 4
Cooling Method	Forced air cooling by FAN	
Operating Temperature	0°C~+40°C	
Operating Humidity	≤90%, not condensing	
Finish	Front panel AL Black, Cover SECC Black	
Control	Front: Power switch Rear: Input volume	Front: Power switch Rear: 4 channels input volume
Dimensions	483(W)×88(H)×392(D)mm	
Weight	6.18kg	6.90kg
Accessory	(CN)AC power cord x1, (EN)AC power cord x1, pluggable terminal block 2P x1, pluggable terminal block 5P x1	

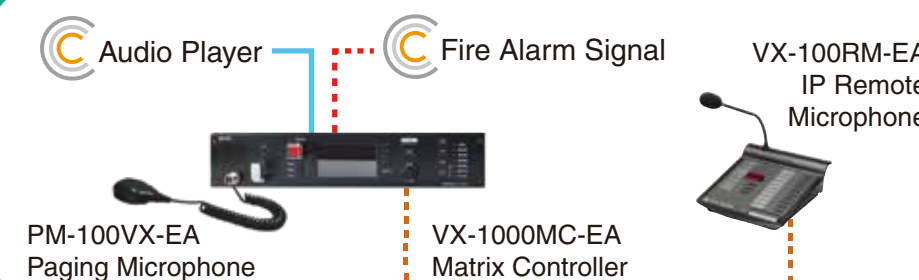
VX-1010ZE-EA Zone Expansion Panel

- It can control up to 10 speaker zones.
- Up to 16 VX-1010ZE-EA can be used in a system.
- Support 10 control inputs + 1 emergency control input
- Support detection function such as speaker line surveillance, power amplifier fault detection based on VX-1000-MC-EA



Power Source	Power Source A: 24V/1A power adapter, plug Power Source B: 24V/1A power adapter, European standard terminal
Standby Power Consumption	< 5W
Control Input	11 channels, European standard terminal (8P×2)
CPU OFF Cascade	2 channels, RJ45 interface
Communication Interface	2 channels, RJ45 interface
Loop Detection Input	1 channel, European standard terminal (2P×2)
Loop Detection Output	2 channels, European standard terminal (4P)
Power Input & Output	3 channels, European standard terminal (6P)
Speaker Loop Output	10 channels, European standard terminal (20P)
Switch	8-digit DIP switch, the first four digits are ZE's ID number, the last four are reserved
Indicator	CONTROL INPUT STATUS (Green) x10, SP OUT STATUS(Green, Red, Orange)x10, EMERGENCY(Red)x1, POWER (Green) x2, CPU OFF(Orange) x1, COM(Green)x1
Operating Temperature	0°C - +40°C
Operating Humidity	≤ 90%, no condensation
Dimensions	493(W)×44(H)×267.2(D)mm(Without gooseneck microphone)

Control Room



--- Control Signal
--- Network Cable
--- Analog Line

Broadcast Area

